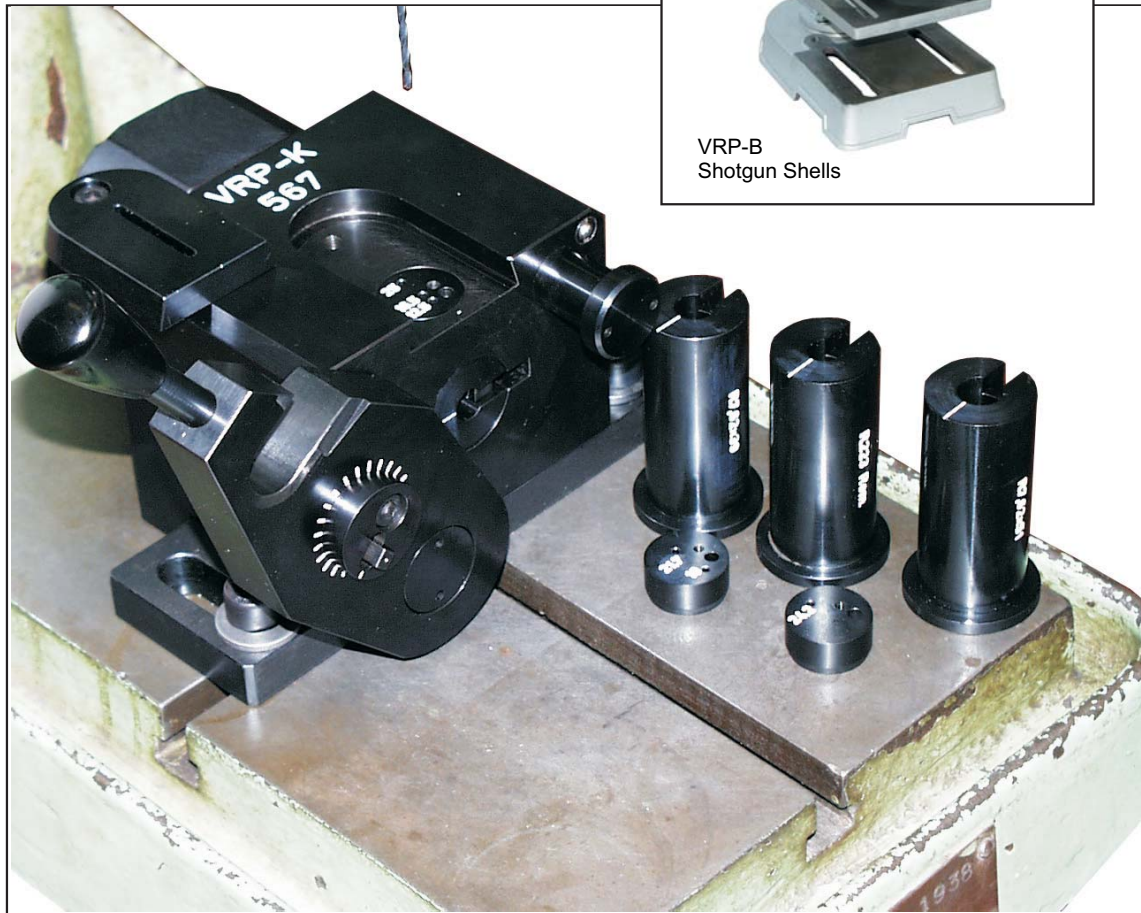


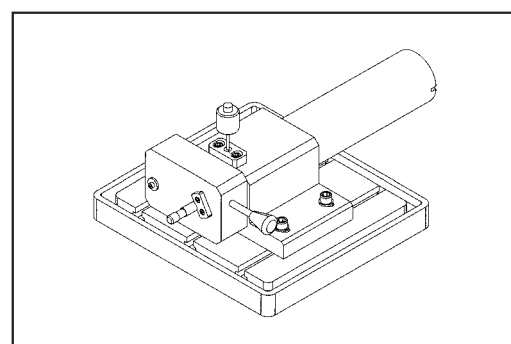
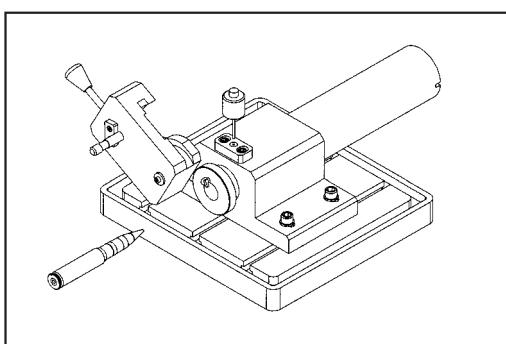


VRP-B  
Shotgun Shells

## DRILLING AND MARKING JIG



VRP-K UNIVERSAL DRILLING AND MARKING JIG FOR CARTRIGES OF CALIBER UP TO 12 mm



DRILLING AND MARKING JIG FOR CARTRIGES OF CALIBERS: 12,7mm, 14,5 mm, 20mm, 23mm AND 30mm